

**INDUSTRIAS**

**TODOFLEX S.R.L.**

**SOPORTES**

[www.industriastodoflex.com.ar](http://www.industriastodoflex.com.ar)

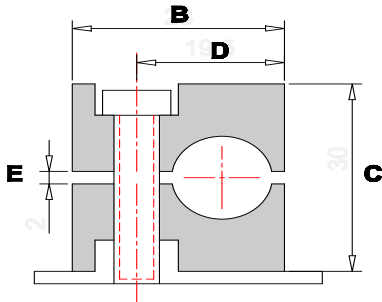
[ventas@todoflex.com.ar](mailto:ventas@todoflex.com.ar)

Av. Bme Mitre 4627 - (CP: 1678) - Caseros - Buenos Aires - Argentina

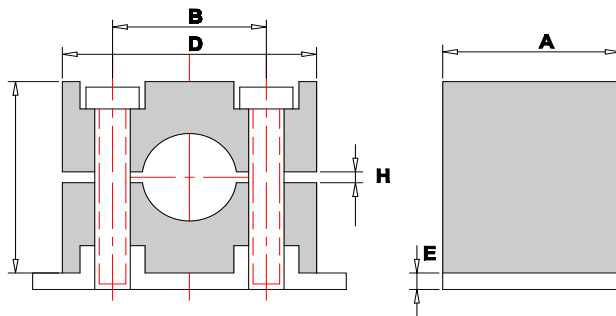
Tel./Fax: 4759-2778 / 4734-2477 / 4716-1078

SERIE STANDARD

SERIE 1



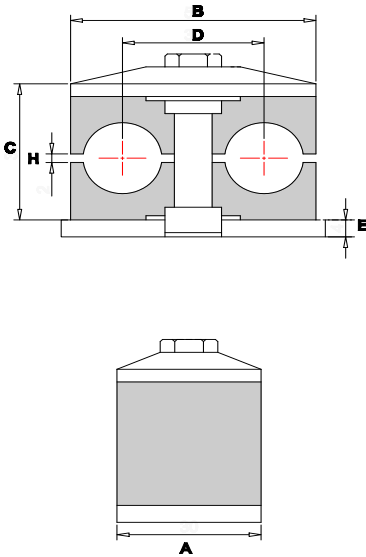
SERIE S2 A S9



SERIE	POLIPROPILENO O ALUMINIO			DIMENSIONES EN MILIMETROS						CODIGO
	DIAMETRO EN MILIMETROS	CAÑO PUL. ING.	TUBO PUL. ING.	A	B	C	D	E	H	
S1	6			30	28	28	19.5	3	0.6	TFS1 6.00
	6.35		1/4"							TFS1 6.35
	8		5/16"							TFS1 8.00
	9.52		3/8"							TFS1 9.52
	10	1/8"								TFS1 10.00
	12									TFS1 12.00
	12.70		1/2"							TFS1 12.70
S2	6			30	37	28	20	3	0.6	TFS2 6.00
	6.35		1/4"							TFS2 6.35
	8		5/16"							TFS2 8.00
	9.56		3/8"							TFS2 9.52
	10	1/8"								TFS2 10.00
	12									TFS2 12.00
	12.70		1/2"							TFS2 12.70
S3	12.70		1/2"	30	43	33	26	3	0.8	TFS3 12.70
	13.70	1/4"								TFS3 13.70
	14									TFS3 14.00
	15									TFS3 15.00
	15.87		5/8"							TFS3 15.87
	16									TFS3 16.00
	17.10	3/8"								TFS3 17.10
	18									TFS3 18.00
S4	13.70	1/4"		30	57	44	30	3	1	TFS4 13.70
	17.10	3/8"								TFS4 17.10
	18									TFS4 18.00
	19.05		3/4"							TFS4 19.05
	20									TFS4 20.00
	21.30	1/2"								TFS4 21.30
	22									TFS4 22.00
	22.22		7/8"							TFS4 22.22
	25									TFS4 25.00
25.40		1"	TFS4 25.40							
S5	26.60	3/4"		30		57	52	3	1	TFS5 26.60
	28									TFS5 28.00
	30									TFS5 30.00
	31.75		1 1/4"							TFS5 31.75
S6	31.75		1 1/4"	30	86	66	66	3	1.40	TFS6 31.75
	32									TFS6 32.00
	33.40	1"								TFS6 33.40
	35									TFS6 35.00
	38.10		1 1/2"							TFS6 38.10
	40									TFS6 40.00
	42.20	1 1/4"								TFS6 42.20
S7	42.20		1 3/4"	30	121	93	94	5	2	TFS7 42.20
	44.50									TFS7 44.50
	48.30	1 1/4"								TFS7 48.30
	50.80		2"							TFS8 50.80
S8	57.20			30	121	93	94	5	2	TFS8 57.20
	60.30	2"								TFS8 60.30
	63.50		2 1/2"							TFS8 63.50
	70		2 3/4"							TFS8 70.00
	73									TFS8 73.00
	76.20	2 1/2"	3"							TFS9 76.20
S9	88.90	3"	4"	30	147	118	120	5	3	TFS9 88.90
	102									TFS9 102.00

## SERIE DOBLE LIVIANA

### SERIE DOBLE SD1 A SD5



SERIE	POLIPROPILENO O ALUMINIO			DIMENSIONES EN MILIMETROS					CODIGO	
	DIAMETRO EN MILIMETROS	CAÑO PUL. ING.	TUBO PUL. ING.	A	B	C	D	E		H
SD1	6			30	36	27	20	4	0.6	TFSD1 6.00
	6.35		1/4"							TFSD1 6.35
	8		5/16"							TFSD1 8.00
	9.52		3/8"							TFSD1 9.52
	10	1/8"								TFSD1 10.00
SD2	12.70		1/2"	30	57	27	29	4	0.8	TFSD2 12.70
	13.70	1/4"								TFSD2 13.70
	14									TFSD2 14.00
	15									TFSD2 15.00
	15.87		5/8"							TFSD2 15.87
	16									TFSD2 16.00
	17.10	3/8"								TFSD2 17.10
	18									TFSD2 18.00
SD3	19.05		3/4"	30	67	37	36	4	1	TFSD3 19.05
	20									TFSD3 20.00
	21.30	1/2"								TFSD3 21.30
	22									TFSD3 22.00
	22.22		7/8"							TFSD3 22.22
	25									TFSD3 25.00
SD4	25.40		1"	30	81	41	45	4	1	TFSD4 25.40
	26.60	3/4"								TFSD4 26.00
	28									TFSD4 28.00
	30									TFSD4 30.00
SD5	31.75		1 1/4"	30	106	53	56	4	1.2	TFSD5 31.75
	32									TFSD5 32.00
	33.40	1"								TFSD5 33.40
	35									TFSD5 35.00
	38.10		1 1/2"							TFSD5 38.10
	40									TFSD5 40.00
42.20	1 1/4"		TFSD5 42.20							

## SERIE STANDARD

## COMPONENTES - TABLA DE DIMENSIONES

MATERIAL ACERO CINCADO O INOXIDABLE				DIMENSIONES				
COMPONENTE	DESCRIPCION	SERIE	CODIGO	G	L	S	D	
	TORNILLOS DE CABEZA ALLEN DIN 92	1	TAS1	6	20	0.8	11	
		2	TAS2	6	20	0.8	11	
		3	TAS3	6	30	0.8	11	
		4	TAS4	6	30	0.8	11	
		5	TAS5	6	40	0.8	11	
		6	TAS6	6	50	0.8	11	
		7	TAS7	6	60	0.8	11	
		8	TAS8	6	80	0.8	11	
		9	TAS9	6	110	0.8	11	
	TORNILLOS DE CABEZA HEXAGONAL DIN 931/933	1	TES1	6	-	-	-	
		2	TES2	6	-	-	-	
		3	TES3	6	-	-	-	
		4	TES4	6	-	-	-	
		5	TES5	6	-	-	-	
		6	TES6	6	-	-	-	
		7	TES7	6	-	-	-	
		8	TES8	6	-	-	-	
		9	TES9	6	-	-	-	
	TORNILLOS PARA SOPORTES SUPERPUESTOS				L1	L2	L3	SW
		1	TSS1	6	34	20	12	11
		2	TSS2	6	34	20	12	11
		3	TSS3	6	38	25.4	12	11
		4	TSS4	6	44	30	12	11
		5	TSS5	6	48	35	12	11
		6	TSS6	6	64	50	12	11
		7	TSS7	6	73	60	12	11
		8	TSS8	6	99	85	12	11
9	TSS9	6	124	110	12	11		

RIEL DE MONTAJE	B1	B2	S	S1	
RS14					
	28	11	2	14	
TUERCA HEXAGONAL PARA RIEL	L	B	H1	H2	D
OS					
	24.4	10.4	13	5	12

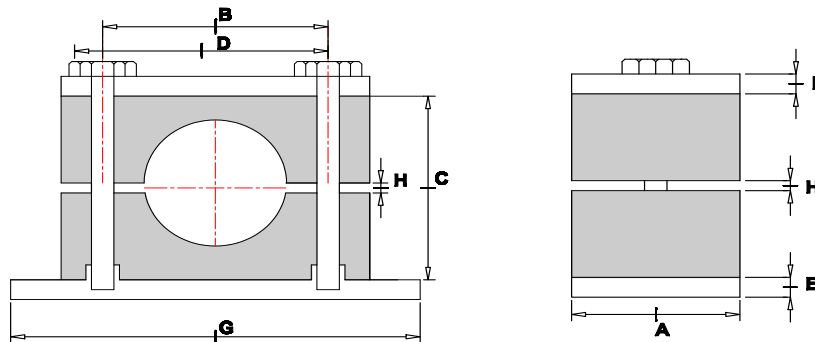
### SERIE STANDARD

### COMPONENTES - TABLA DE DIMENSIONES

MATERIAL DE ACERO CINCADO O INOXIDABLE			
COMPONENTE	DESCRIPCION	SERIE	CODIGO
	PLACA INFERIOR SOLDABLE	1	PI S1
		2	PI S2
		3	PI S3
		4	PI S4
		5	PI S5
		6	PI S6
		7	PI S7
		8	PI S8
		9	PI S9
	PLACA INFERIOR ABULONABLE	1	PI A S1
		2	PI A S2
		3	PI A 3
		4	PI A 4
		5	PI A 5
		6	PI A 6
		7	PI A 7
		8	PI A 8
		9	PI A 9

SERIE PESADA

SERIE PESADA SP1 A SP6



SERIE	POLIPROPILENO O ALUMINIO			DIMENSIONES EN MILIMETROS						CODIGO	
	DIAMETRO EN MILIMETROS	CAÑO PUL. ING.	TUBO PUL. ING.	A	B	C	D	E	H		G
SP1	6			30	55	33	33	7.94	1	73	TFSP1 6.00
	6.35		1/4"								TFSP1 6.35
	8		5/16"								TFSP1 8.00
	9.52		3/8"								TFSP1 9.52
	10	1/8"									TFSP1 10.00
	12										TFSP1 12.00
	12.70		1/2"								TFSP1 12.70
	13.70	1/4"									TFSP1 13.70
	14										TFSP1 14.00
	15										TFSP1 15.00
	15.87		5/8"								TFSP1 15.87
	16										TFSP1 16.00
	17.10	3/8"									TFSP1 17.10
	18										TFSP1 18.00
19.05		3/4"	TFSP1 19.05								
SP2	19.05			30	72	49	45	7.94	1	85	TFSP2 19.05
	20										TFSP2 20.00
	21.30	1/2"									TFSP2 21.30
	22										TFSP2 22.00
	22.22		7/8"								TFSP2 22.22
	25		1"								TFSP2 25.00
	25.40										TFSP2 25.40
	26.60	3/4"									TFSP2 26.60
	28										TFSP2 28.00
	30										TFSP2 30.00
SP3	31.75		1 1/4"	30	87	60	60	7.94	1.2	107	TFSP3 31.75
	33.40										TFSP3 33.40
	35										TFSP3 35.00
	38.10		1 1/2"								TFSP3 38.10
	40										TFSP3 40.00
	42.20	1 1/4"									TFSP3 42.20
44.50			TFSP3 44.50								
SP4	38.10		1 1/2"	45	116	86	90	9.52	2	140	TFSP4 38.10
	40										TFSP4 40.00
	42.20	1 1/4"									TFSP4 42.20
	44.50		1 1/4"								TFSP4 44.50
	48.30	1 1/2"									TFSP4 48.30
	50.80		2"								TFSP4 50.80
	54.50										TFSP4 54.50
	57.20		2 1/4"								TFSP4 57.20
	60.30	2"									TFSP4 60.30
	63.30										TFSP4 63.50
70		2 3/4"	TFSP4 70.00								
SP5	70		2 3/4"	60	155	120	122	9.52	3	180	TFSP5 70.00
	73										TFSP5 73.00
	76.20		3"								TFSP5 76.20
	88.90		3 1/2"								TFSP5 88.90
SP6	100	3"		80	205	170	168		4	225	TFSP6 100.00
	102	3 1/2"	4"								TFSP6 102.00
	114	4"	4 1/2"								TFSP6 114.00
	127		5"								TFSP6 127.00

## **PRODUCTOS COMERCIALIZADOS QUE PROXIMAMENTE ESTARAN EN EL CATALOGO**

- ▶ **BRIDAS FORJADAS**
- ▶ **ACOPLES RAPIDOS HIDRAULICOS**
- ▶ **ACOPLES RAPIDOS CON MANIJA PARA FLUIDOS**
- ▶ **METALICOS FLEXIBLES INOX. ARMADOS SEGÚN MUESTRA O PLANO**
- ▶ **ACOPLES RAPIDOS NEUMATICOS**
- ▶ **ACCESORIOS NEUMATICAS**
- ▶ **VALVULAS NEUMATICAS**
- ▶ **POLIAMIDAS ESPIRALADAS**
- ▶ **POLIPACK, WIPER, UPACKING Y O`RING**
- ▶ **CONEXIONES DE BRONCE**
- ▶ **FILTROS, REG. Y LUBRICADORES NEUMATICOS**
- ▶ **VALVULAS ESFERICAS, AGUJA, GLOBO**
- ▶ **MANGUITOS CLAMPS EN INOXIDABLE**
- ▶ **TORNERIA CNC - PIEZAS ESTANDAR Y ESPECIALES (BAJO PLANO O MUESTRA)**

INDUSTRIAS

**TODOFLEX** S.R.L.

INDUSTRIAS

**TODOFLEX** S.R.L.